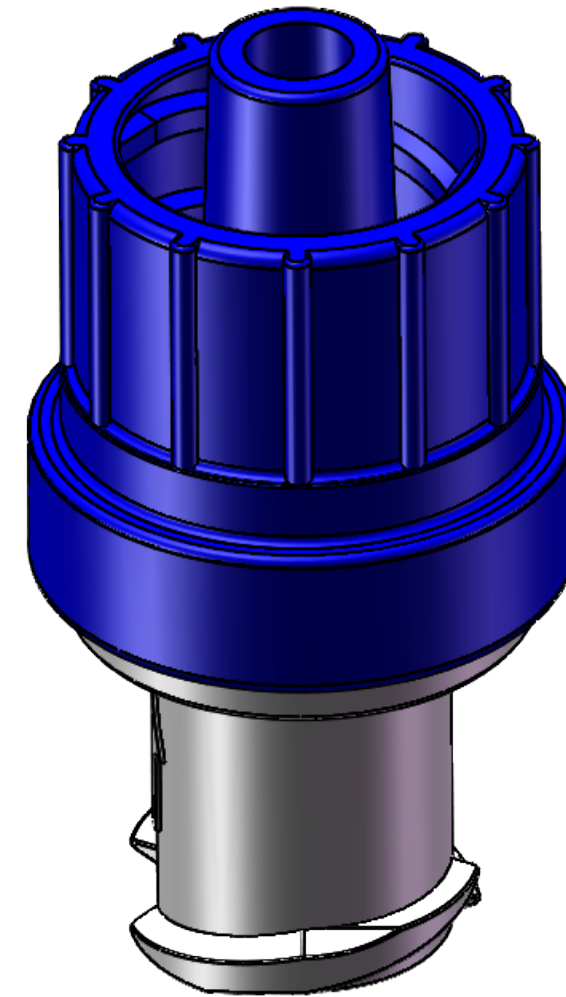
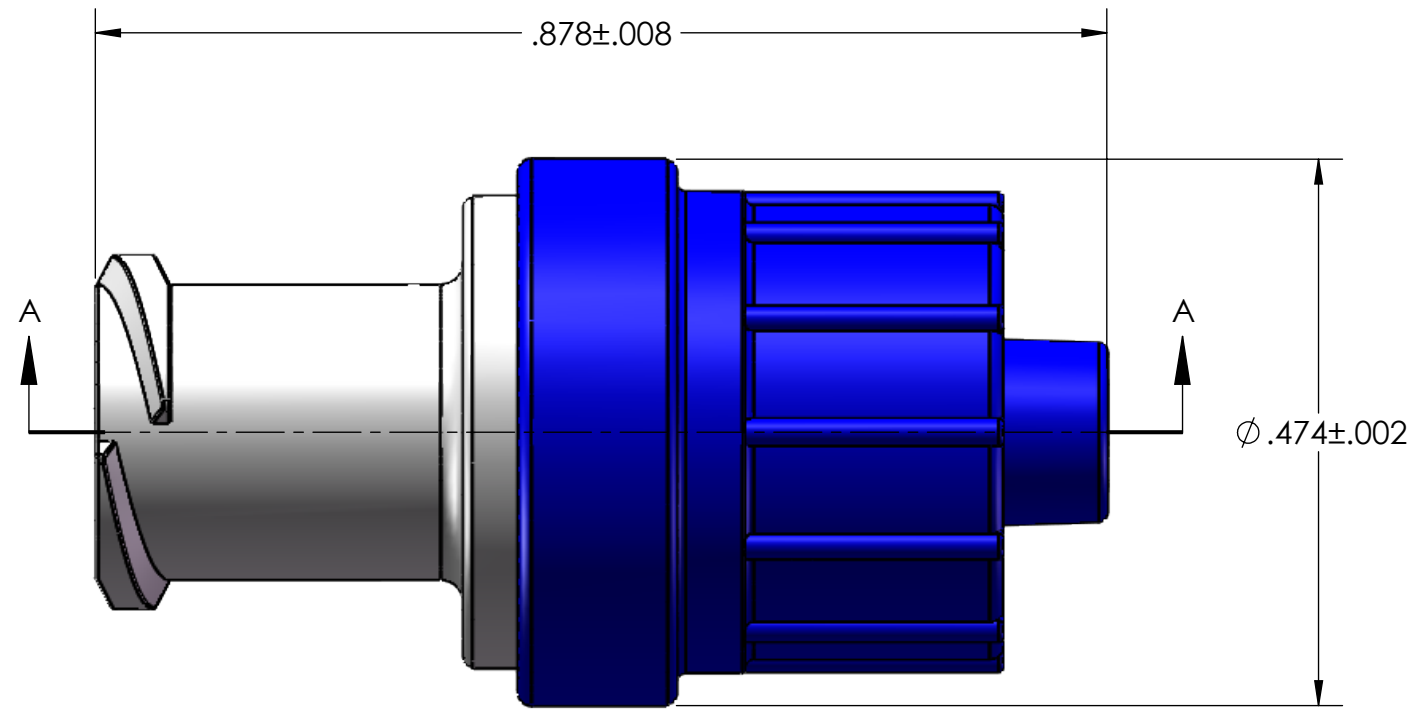
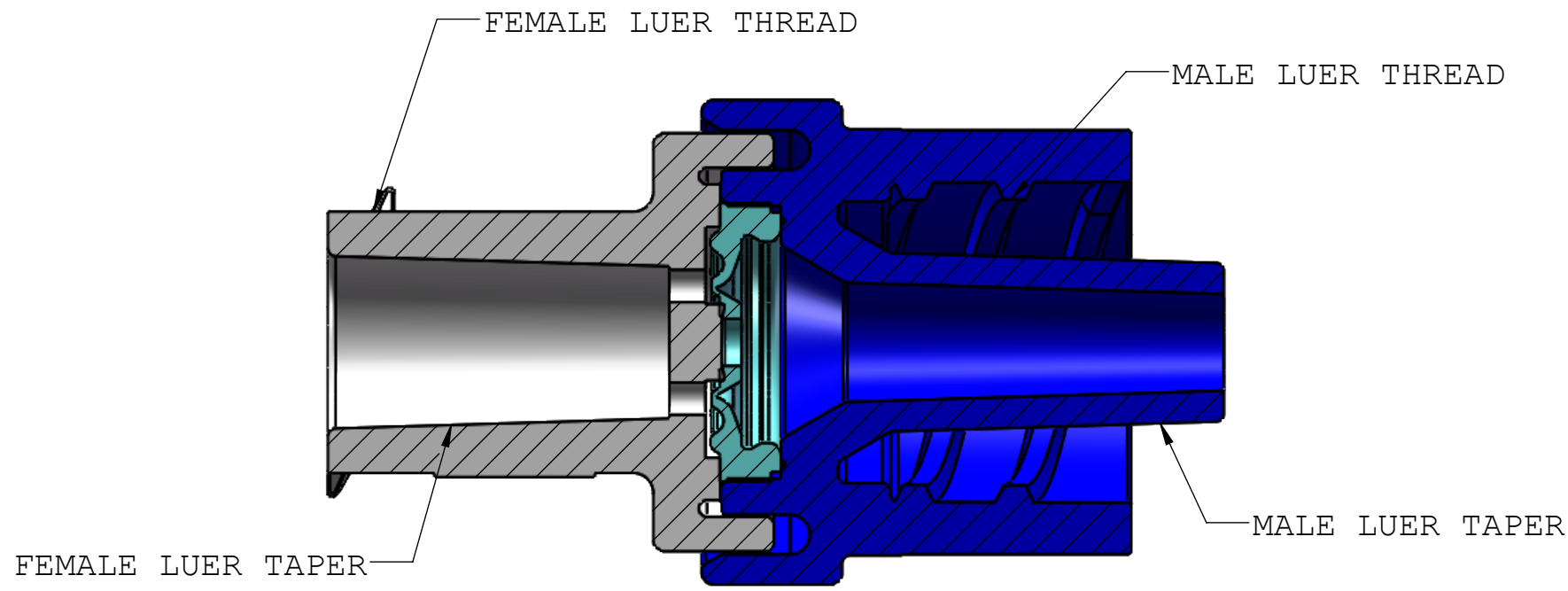


NOTES: FOR ADDITIONAL DETAILS, PLEASE CONTACT VP CUSTOMER SERVICE

REVISIONS			
REV.	DESCRIPTION	DATE	APPROVED
A	INITIAL RELEASE	04-30-15	H.L



DIRECTION OF  
FLUID FLOW



SECTION A-A

UNLESS OTHERWISE SPECIFIED  
DIMENSIONS ARE IN INCHES  
TOLERANCES ARE:  
FRACTIONS DECIMAL ANGULAR  
± .XX ±.01 ± 1°  
.XXX ±.005  
.XXXX ±.001

DO NOT SCALE DRAWING

DRAWN BY: Frank.Lombardi DATE: 3/15/2019

ENGINEERING MANAGER:

Lou Huadong

**VALUE PLASTICS, INC**

PART NUMBER: SCV06238

DESCRIPTION: Check Valve, Female Locking Luer to Male Locking Luer, Clear and Blue PC w/Silicone Diaphragm

SIZE: **B** SCALE: NTS DWG. NO. 1078077 REV **A**

© 2015 VALUE PLASTICS, INC SHEET: 1 OF 1

**FOR REFERENCE ONLY**